

 **secure displays**
tough security made easy



Series 1000

Handheld Stand

We've made the best even better

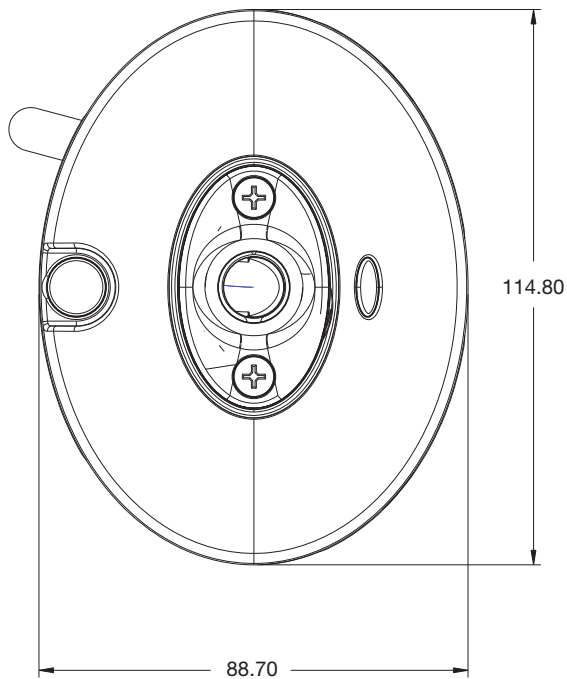
- Patented internal recoiler mechanism – simple yet ingenious
- Low maintenance design is retail friendly
- Advanced electronics include interactive capable, CCTV interface and battery back-up
- Independent alarming security with full power-up capability
- Patented IR Technology allows store-specific key coding
- Stand quickly mounts anywhere without tools



Available in three stand heights.

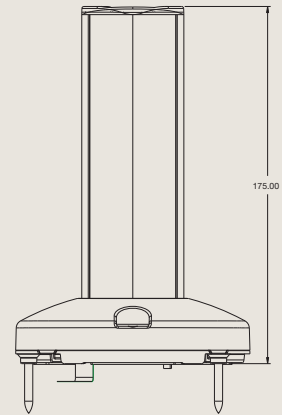
inVUE
SECURITY PRODUCTS™

invuesecurity.com
©2011 InVue Security Products

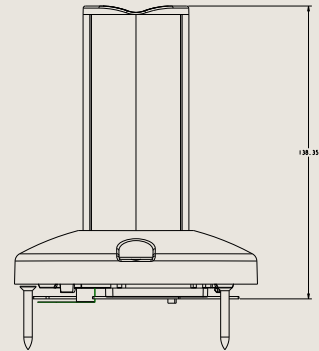


Base dimensions for the HC7007, HC7008 and HC7009 are the same

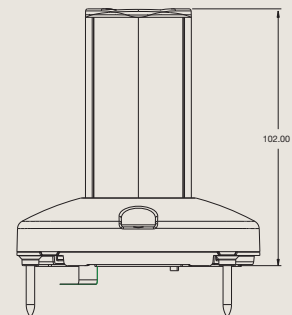
HC7007



HC7009



HC7008



CORPORATE OFFICE // North America// 704.752.6513// 888.55.INVUE
EUROPEAN OFFICE // The Netherlands // +31.23.8900150
ASIAN OFFICE // Singapore // +65.6766.4844

invUE
 SECURITY PRODUCTS™

Quick Change (QC) retractable lanyards last longer and are easy to change – saving you time and money.



1. Remove POD base cover



2. Feed through stand



3. Wrap and plug into jack

Perfect Placement™

Returns merchandise to the ideal position every time.



Hidden Cable

Retractable lanyards provide clean merchandise displays.



product ordering

ORDER CODE	DESCRIPTION	EXTERNAL DIM. (L x W x D)	CARTON QTY.	CARTON WT.
HC7007-W HC7007-B	Tall Handheld Electronics Stand - White Tall Handheld Electronics Stand - Black	3.5" L x 5.0" W x 7.4" D (9.0cm L x 12.7cm W x 18.7cm D)	1	0.85 lbs (0.39 kg)
HC7009-W HC7009-B	Mid Level Handheld Elec. Stand - White Mid Level Handheld Elec. Stand - Black	3.5" L x 5.0" W x 5.6" D (9.0cm L x 12.7cm W x 14.2cm D)	1	0.70 lbs (0.31 kg)
HC7008-W HC7008-B	Low Profile Handheld Elec. Stand - White Low Profile Handheld Elec. Stand - Black	3.5" L x 5.0" W x 4.5" D (9.0cm L x 12.7cm W x 11.4cm D)	1	0.56 lbs (0.25 kg)
HC7230-W HC7230-B	Sensor Single 30° Inline - White Sensor Single 30° Inline - Black	16.0" L x 3.0" W x 1.0" D (39.6cm L x 7.6cm W x 2.5cm D)	1	0.12 lbs (0.06 kg)
HC7230W-MED HC7230B-MED	Med. Sensor Single Angled Inline - White Med. Sensor Single Angled Inline - Black	15.5" L x 3.0" W x 1.0" D (38.3cm L x 7.6cm W x 2.5cm D)	1	0.12 lbs (0.06 kg)
HC7230W-LP	Low Profile Sensor Single Angled Inline - White	13.9" L x 3.0" W x 1.0" D (35.0cm L x 7.6cm W x 2.5cm D)	1	0.12 lbs (0.06 kg)
HC7230B-LP	Low Profile Sensor Single Angled Inline - Black	13.9" L x 3.0" W x 1.0" D (35.0cm L x 7.6cm W x 2.5cm D)	1	0.12 lbs (0.06 kg)
HC7232-W HC7232-B	Sensor Dual 30° Inline - White Sensor Dual 30° Inline - Black	16.0" L x 3.0" W x 1.0" D (39.6cm L x 7.6cm W x 2.5cm D)	1	0.12 lbs (0.06 kg)
HC7232W-MED HC7232B-MED	Med. Sensor Dual Angled Inline - White Med. Sensor Dual Angled Inline - Black	15.5" L x 3.0" W x 1.0" D (38.3cm L x 7.6cm W x 2.5cm D)	1	0.13 lbs (0.059 kg)
HC7232W-LP	Low Profile Sensor Dual Angled Inline - White	13.9" L x 3.0" W x 1.0" D (35.0cm L x 7.6cm W x 2.5cm D)	1	0.12 lbs (0.06 kg)
HC7232B-LP	Low Profile Sensor Dual Angled Inline - Black	13.9" L x 3.0" W x 1.0" D (35.0cm L x 7.6cm W x 2.5cm D)	1	0.12 lbs (0.06 kg)

Items required to create a powered display:

① Display Stand (listed above); ② Sensor; ③ Power Connector; ④ Standardized Power Supply

For additional information, please contact your local InVue sales representative, or consult the InVue Secure Displays Product Catalog, available online at invuesecurity.com/podscatalog.

CORPORATE OFFICE // North America// 704.752.6513// 888.55.INVUE

EUROPEAN OFFICE // The Netherlands // +31.23.8900150

ASIAN OFFICE // Singapore // +65.6766.4844

invUE
SECURITY PRODUCTS™

©2011 InVue Security Products. No endorsement of InVue products has been made by any of the manufacturers of the products shown. Product is sold pursuant to InVue's warranty which can be found at www.invuesecurity.com/english/warranty.html

invuesecurity.com
©2011 InVue Security Products

product ordering

ORDER CODE	DESCRIPTION	EXTERNAL DIM. (L x W x D)	CARTON QTY.	CARTON WT.
HC7235-B	Flex Cell Angled Sensor NARROW PHONE - Black	16.0" L x 3.0" W x 1.0" D (39.6cm L x 7.6cm W x 2.5cm D)	1	0.12 lbs (0.06 Kg)
HC7236-B	Flex Cell Angled Sensor WIDE PHONE - Black	16.0" L x 3.0" W x 1.0" D (39.6cm L x 7.6cm W x 2.5cm D)	1	0.12 lbs (0.06 Kg)
HC5240-W HC5240-B	Sports Watch Sensor - White Sports Watch Sensor - Black	19.5" L x 3.5" W x 1.5" D (49.5cm L x 9.0cm W x 3.8cm D)	1	0.14 lbs (0.06 kg)
HC4413	Series 1000 5 Volt Power Supply - USA	3.1" L x 2.6" W x 1.8" D (7.9cm L x 6.6cm W x 4.5cm D)	1	0.25 lbs (0.12 kg)
HC4413-JPN	Series 1000 5 Volt Power Supply - Japan	3.1" L x 2.6" W x 1.8" D (7.9cm L x 6.6cm W x 4.5cm D)	1	0.25 lbs (0.12 kg)
HC4415	Series 1000 5 Volt Power Supply - EUR	3.1" L x 2.6" W x 1.8" D (7.9cm L x 6.6cm W x 4.5cm D)	1	0.25 lbs (0.12 kg)
HC4416	Series 1000 5 Volt Power Supply - UK and AUS	3.1" L x 2.6" W x 1.8" D (7.9cm L x 6.6cm W x 4.5cm D)	1	0.25 lbs (0.12 kg)
HC5417	Series 1000 Stand Replacement Adhesives	8.0" L x 4.5" W x 0.25" D (20.3cm L x 11.4cm W x 0.60cm D)	6	0.10 lbs (0.06 kg)
HC7401	Series 1000 Single Sensor Replacement Adhesives	8.0" L x 4.5" W x 0.25" H (20.3cm L x 11.4cm W x 0.6cm D)	20	0.10 lbs (0.06 kg)
HC7402	Series 1000 Dual Sensor Replacement Adhesives	8.0" L x 4.5" W x 0.25" H (20.3cm L x 11.4cm W x 0.6cm D)	20	0.10 lbs (0.06 kg)
AF7425	Replacement Flex Cell Switches Narrow Phone	5.1" L x 8.3" W x 0.1" D (13.0cm L x 21.1cm W x 0.3cm D)	5	0.10 lbs (0.06 g)
AF7426	Replacement Flex Cell Switches Wide Phone	5.1" L x 8.3" W x 0.1" D (13.0cm L x 21.1cm W x 0.3cm D)	5	0.10 lbs (0.06 g)

Items required to create a powered display:

- ❶ Display Stand (listed above); ❷ Sensor; ❸ Power Connector; ❹ Standardized Power Supply

For additional information, please contact your local InVue sales representative, or consult the InVue Secure Displays Product Catalog, available online at invuesecurity.com/podscatalog.

CORPORATE OFFICE // North America// 704.752.6513// 888.55.INVUE
EUROPEAN OFFICE // The Netherlands // +31.23.8900150
ASIAN OFFICE // Singapore // +65.6766.4844

