

Smart Lock **Plunger Lock III**

Enhance customer service and increase sales.

Smart Lock is the first electronic lock and key system designed to deliver superior security protection for items merchandised or inventoried inside cabinets. The operational efficiency, improved customer service and speed to check out makes Smart Lock the perfect locked cabinet solution.

- › Sales associates are empowered to access locked display cabinets, delivering a more timely response to customers
- › Enhanced interaction with customers will result in increased sales
- › The IR2 Key and IR2-S Key eliminate the need to search for a manager with the “master” mechanical key set

Plunger Lock III Specs

- › Designed for glass sliding doors
- › Simple to retrofit and install – fits easily to glass bypass doors (designed to fit 22mm to 32mm (0.87"-1.26") hole)
- › Screws, mounting bracket and optional spacer rings included
- › Spacer rings allow mounting in holes ranging from 22mm to 32mm (0.87"-1.26")
- › E Ink® display provides visual confirmation that lock is locked or unlocked

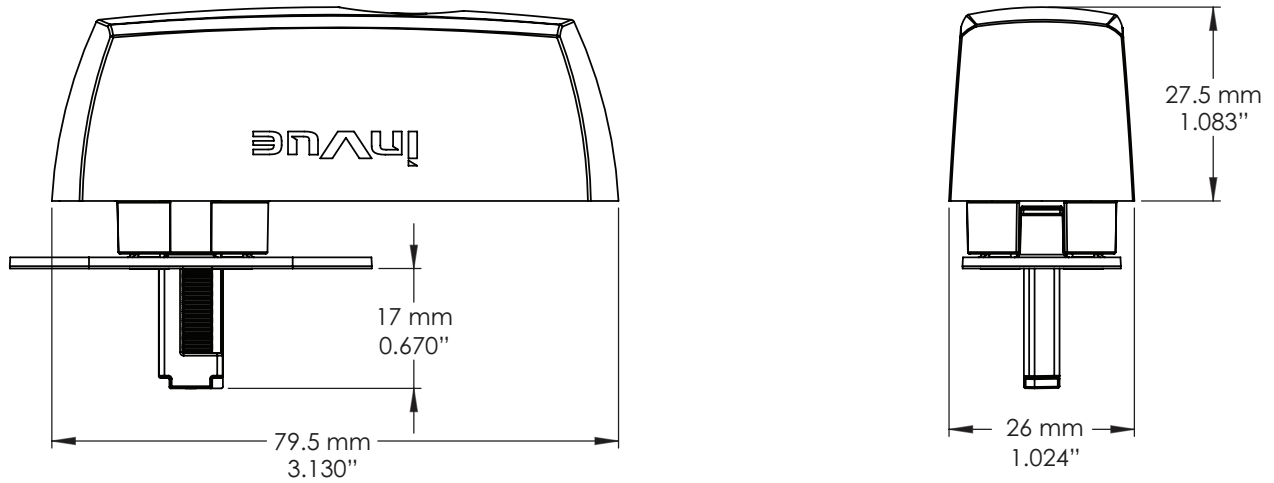


Lock Status Indicator



unit dimensions

PL203



InVue's Smart Lock program utilizes the new InVue IR2 Key. The IR2 Key provides a unique store code and time out feature for added security. And the IR2 Key will also work with all InVue PODs.



product ordering

ORDER CODE	DESCRIPTION	EXTERNAL DIM. (L x W x H)	CARTON QTY.	CARTON WT.
PL203-B PL203-W*	Plunger Lock III – Black Plunger Lock III – White (For 22mm – 32mm, 0.87" – 1.26" diameter panel hole)	2.75" L x 1.49" W x 1.0" H (69.9mm L x 37.8mm W x 25.6mm H)	1	0.45 lbs (0.2 kg)

* White: Special order, minimum order quantity applies.

CORPORATE OFFICE // North America // 704.752.6513 // 888.55.INVUE

EUROPEAN OFFICE // The Netherlands // +31.23.8900150

ASIAN OFFICE // Singapore // +65.6766.4844

LATIN AMERICA OFFICE // Mexico // +52.55.90003957

©2012 InVue Security Products. No endorsement of InVue products has been made by any of the manufacturers of the products shown. Product is sold pursuant to InVue's warranty which can be found at www.invuesecurity.com/english/warranty.html

inVUE